

UNINCORPORATED-RANCHO DOMINGUEZ

TEMPORARY STRIPING PLANS FOR JOINT OUTFALL A UNIT 3C TRUNK SEWER REHABILITATION PHASE III

TEMPORARY STRIPING GENERAL NOTES

- 1 - ALL TEMPORARY STRIPING WILL BE PAINT (2-COATS). PAVEMENT MARKING WILL BE PAINTED UNLESS OTHERWISE NOTED.
- 2 - CONTRACTOR TO ESTABLISH AND MAINTAIN PEDESTRIAN AND BICYCLE PATHWAYS AT ALL TIMES DURING CONSTRUCTION.
- 3 - REMOVAL OF STRIPING SHOULD NOT CAUSE GOUGES IN THE PAVEMENT TO EXCEED A DEPTH OF 1/8 INCH, PER CALTRANS STANDARD SECTION 84-9.03B.
- 4 - ALL CONFLICTING SIGNING, STRIPING AND PAVEMENT MARKING SHALL BE REMOVED PRIOR TO STARTING WORK.
- 5 - UNLESS OTHERWISE NOTED, ALL LANE WIDTHS SHALL BE 12' MINIMUM.

LEGEND

- TYPE III BARRICADE W/SIGN
- TYPE III BARRICADE W/O SIGN
- TYPE II BARRICADE W/SIGN
- TYPE II BARRICADE W/O SIGN
- DELINEATOR WITH WHITE REFLECTIVE TAPE
- DELINEATOR WITH YELLOW REFLECTIVE TAPE
- TRAFFIC CONE WITH CLIP ON SIGN
- SIGN
- SIGNALIZED INTERSECTION
- [FAB] ARROW PANEL (FLASHING ARROW)
- HIGH LEVEL WARNING DEVICE (FLAGTREE)
- FLAGGER
- TANS TOW AWAY NO STOPPING ____ TO ____
- TANSAT TOW AWAY NO STOPPING ANY TIME
- WORK ZONE (ACTIVITY AREA) LIMITS
- WORK ZONE (ACTIVITY AREA) LIMITS WITH FLAGGER
- DIRECTION OF TRAFFIC (NOT PAVEMENT MARKING)
- K-RAIL
- WATER FILLED IN LINE SLED

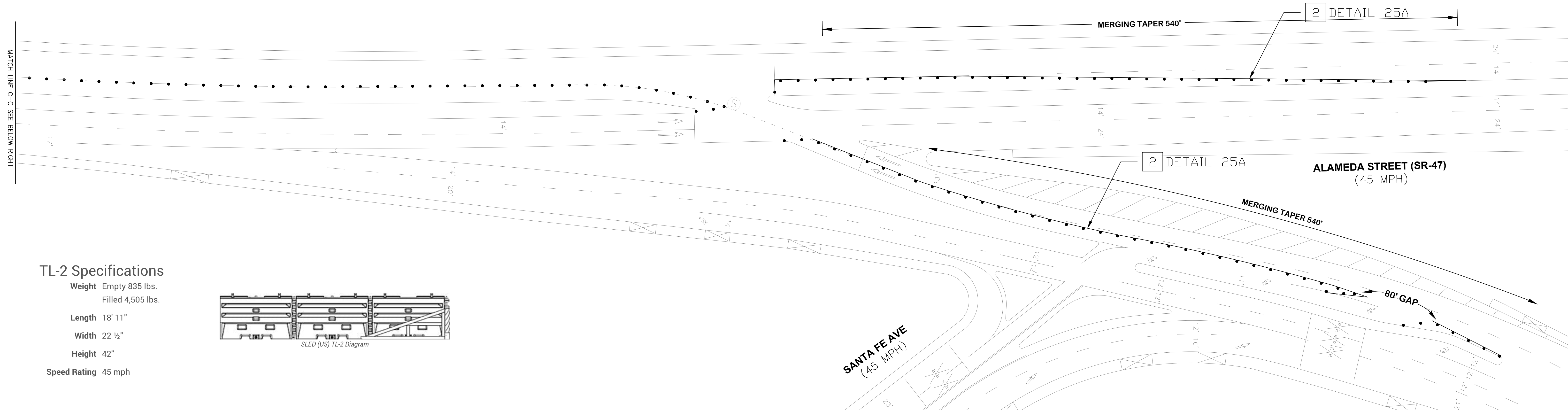


SHEET INDEX

S. NO.	TC NO.	DESCRIPTION
01	TC-00	TITLE PAGE
02	TC-01	TEMPORARY STRIPING ON NB & SB ALAMEDA STREET
03	TC-02	TEMPORARY STRIPING ON NB & SB ALAMEDA STREET
04	TC-03	TEMPORARY STRIPING ON SB ALAMEDA STREET

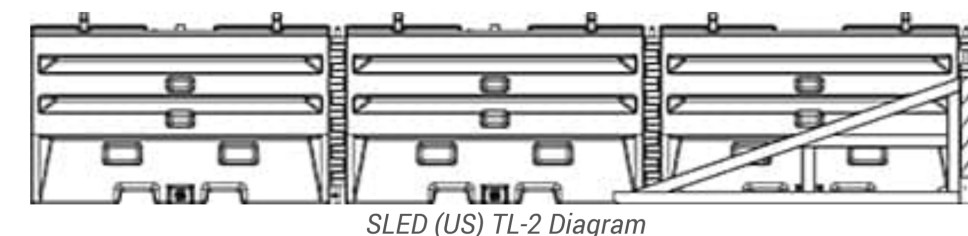
345+00.00 346+00.00 347+00.00 348+00.00 349+00.00 350+00.00 351+00.00 352+00.00 353+00.00 354+00.00 355+00.00 356+00.00

MATCH LINE C-C SEE BELOW RIGHT



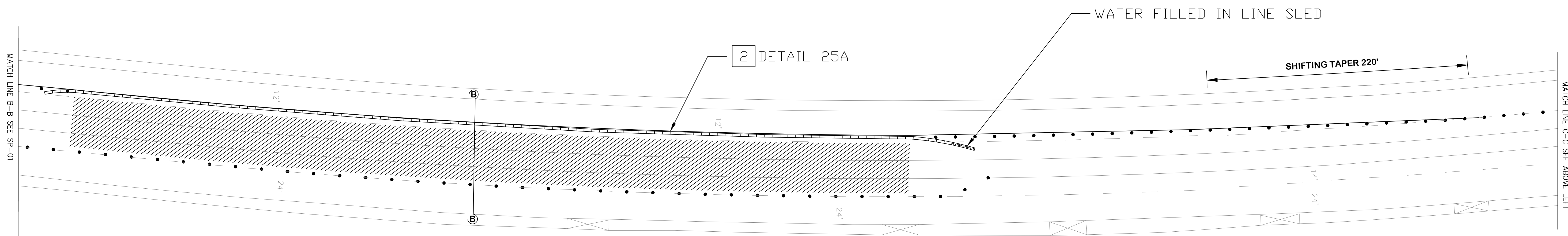
TL-2 Specifications

Weight Empty 835 lbs.
 Filled 4,505 lbs.
 Length 18' 11"
 Width 22 1/2"
 Height 42"
 Speed Rating 45 mph



332+00.00 333+00.00 334+00.00 335+00.00 336+00.00 337+00.00 338+00.00 339+00.00 340+00.00 341+00.00 342+00.00 343+00.00

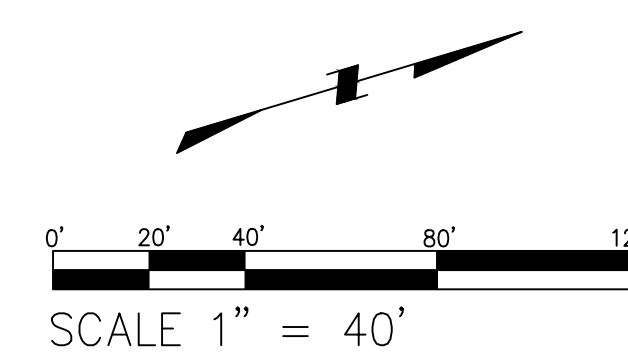
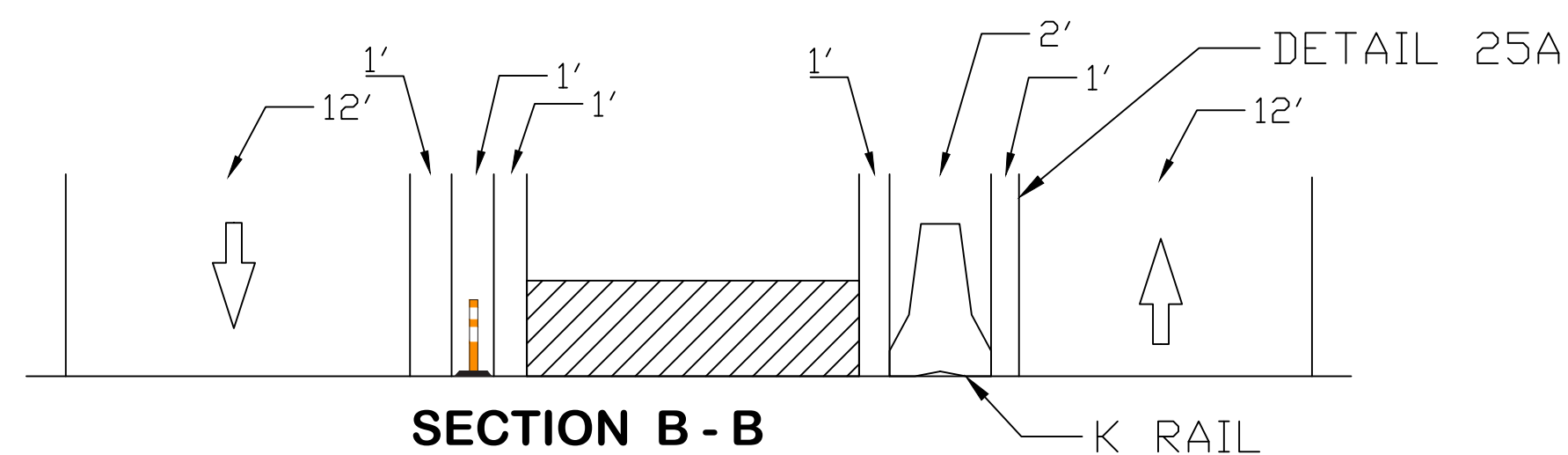
MATCH LINE B-B SEE SP-01



ALAMEDA STREET (SR-47)
(45 MPH)

- 1 REMOVE CONFLICT STRIPING BY GRINDING/SANDBLASTING.
- 2 INSTALL TEMPORARY STRIPING AS PER THE CALTRANS STANDARD DETAIL.

□ K-RAIL
 □ WATER FILLED IN LINE SLED



DESIGN BY: SYEDA ALIYA FATIMA
 REVIEW BY: HUMAYUN AZIZ
 APPROVED BY: HUMAYUN AZIZ, P.E.

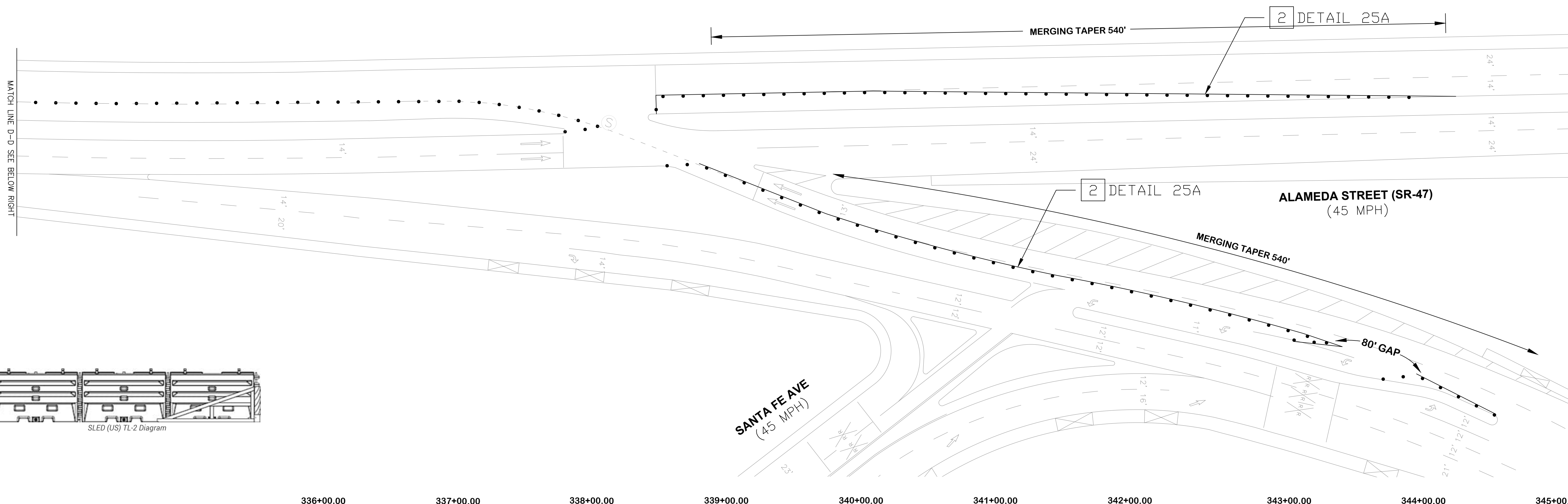
MARK	REVISIONS	APPR.	DATE

UNINCORPORATED-RANCHO DOMINGUEZ
 REVIEWED BY: _____
 DATE: _____

TEMPORARY STRIPING PLAN
 JOINT OUTFALL A UNIT 3C TRUNK SEWER REHABILITATION PHASE 3
 TEMPORARY STRIPING ON ALAMEDA STREET
 HORIZ. SCALE: 1"= 40' VERT. SCALE:

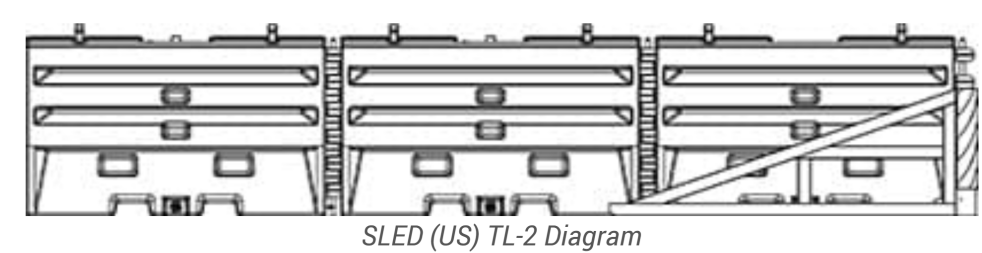
SP - 02
 SHEET 03 OF 04

345+00.00 346+00.00 347+00.00 348+00.00 349+00.00 350+00.00 351+00.00 352+00.00 353+00.00 354+00.00 355+00.00 356+00.00

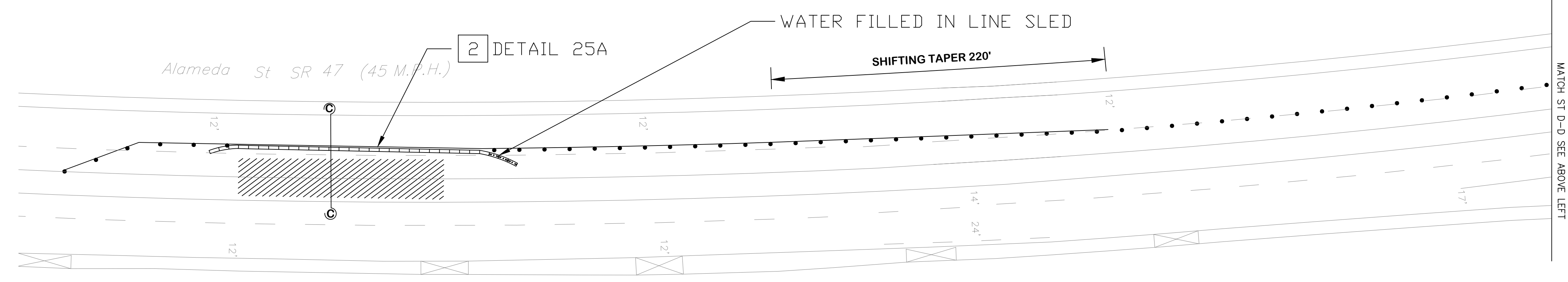


TL-2 Specifications

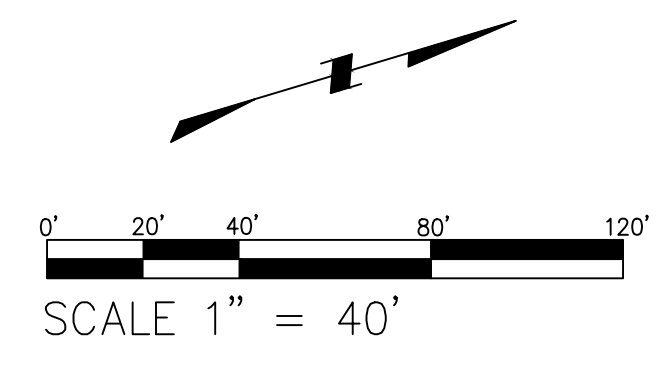
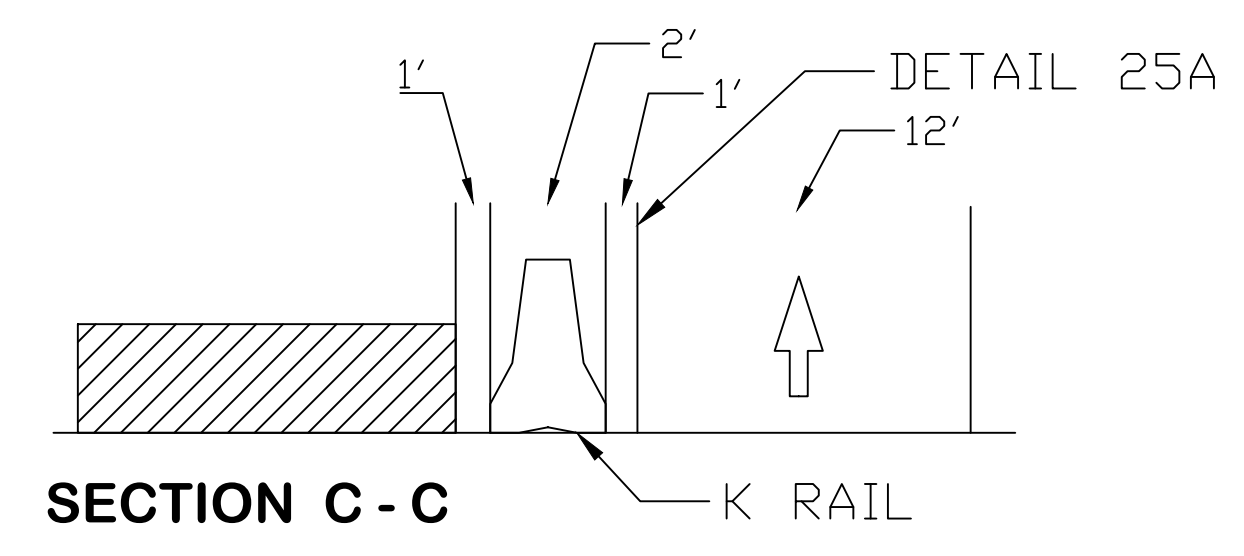
- Weight Empty 835 lbs.
- Filled 4,505 lbs.
- Length 18' 11"
- Width 22 1/2"
- Height 42"
- Speed Rating 45 mph



336+00.00 337+00.00 338+00.00 339+00.00 340+00.00 341+00.00 342+00.00 343+00.00 344+00.00 345+00.00



- 1 REMOVE CONFLICT STRIPING BY GRINDING/SANDBLASTING.
- 2 INSTALL TEMPORARY STRIPING AS PER THE CALTRANS STANDARD DETAIL.



	<p>Under Ground Service Alert of Southern California Call: TOLL FREE 1-800-227-2600 TWO WORKING DAYS BEFORE YOU DIG</p>	<p>Traffic Control Plans Prepared By:</p> <p>WWW.MZBINC.COM CELL: 949-254-4792 EMAIL: INFO@MZBINC.COM</p>		<p>DESIGN BY: SYEDA ALIYA FATIMA REVIEW BY: HUMAYUN AZIZ APPROVED BY: HUMAYUN AZIZ, P.E.</p>	<table border="1" style="width: 100%; border-collapse: collapse;"> <tr> <th>MARK</th> <th>REVISIONS</th> <th>APPR.</th> <th>DATE</th> </tr> <tr><td> </td><td> </td><td> </td><td> </td></tr> <tr><td> </td><td> </td><td> </td><td> </td></tr> <tr><td> </td><td> </td><td> </td><td> </td></tr> <tr><td> </td><td> </td><td> </td><td> </td></tr> <tr><td> </td><td> </td><td> </td><td> </td></tr> <tr><td> </td><td> </td><td> </td><td> </td></tr> <tr><td> </td><td> </td><td> </td><td> </td></tr> <tr><td> </td><td> </td><td> </td><td> </td></tr> <tr><td> </td><td> </td><td> </td><td> </td></tr> <tr><td> </td><td> </td><td> </td><td> </td></tr> </table>	MARK	REVISIONS	APPR.	DATE																																									<p>UNINCORPORATED-RANCHO DOMINGUEZ</p> <p>REVIEWED BY: _____ DATE: _____</p>	<p>TEMPORARY STRIPING PLAN JOINT OUTFALL A UNIT 3C TRUNK SEWER REHABILITATION PHASE 3</p> <p>TEMPORARY STRIPING ON SB ALAMEDA STREET</p> <p>HORIZ. SCALE: 1"= 40' VERT. SCALE: _____</p>	<p>SP - 03</p> <p>SHEET 04 OF 04</p>
MARK	REVISIONS	APPR.	DATE																																																	